

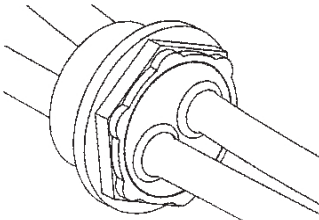
**AMP NETCONNECT^(*): IP 44 Industrial Outlet for
 SL Series and AMP-TWIST Jack.**

1. INTRODUCTION.

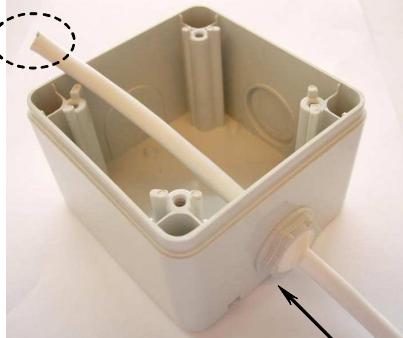
This Instruction sheet describes assembly procedures for IP 44 Industrial Outlet and SL series Jack and AMP-TWIST Series Jack.

The IP 44 Industrial Outlet accepts UTP SL Jack (PN 1375055-X), AMP-TWIST-6S SL Jack (1711342-X) and AMP-TWIST 6_AS SL Jack (PN 1711716-X).

1 Cable (or cables) through membrane to keep IP-degree



2

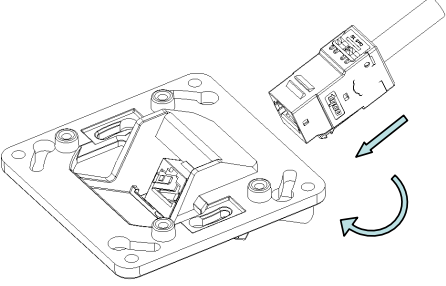


3

Terminate the connector using relevant Instruction sheet: 411-93007, 411-93016 or 408-8417. (depending on the connector used)

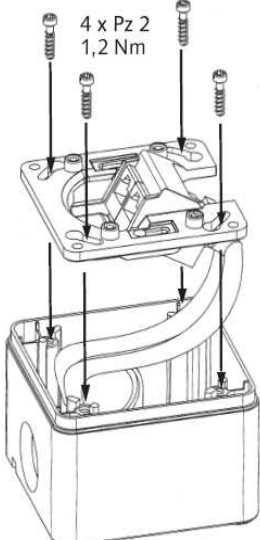


4



5

4 x Pz 2
1,2 Nm



6

4 x Pz 2
1,2 Nm

